

T SERIES GANTRY CRANES

I-BEAM	FLANGE WIDTH
S6" - 12.5#	3 3/8"
S8" - 18.4#	4"
S10" - 25.4#	4 5/8"
S12" - 31.8#	5"
S15" - 42.9#	5 1/2"
S18" - 54.7#	6"
S24" - 80#	7"

T SERIES - ALL STEEL

A CAPACITY	B SPAN	C CLEAR SPAN	D OVERALL HEIGHT		E I-BEAM DEPTH	F CASTER FRAME SPREAD		G CASTER DIAMETER	H MAXIMUM LEG CLEARANCE	NET WEIGHT	MODEL
			MAXIMUM	MINIMUM		MAXIMUM	MINIMUM				
			1 Ton								
	10'	5' 7"	10'-7"	6'-7"	6"	7'-1"	4'-7"	6"	10"	571	1T109S
		5' 8"	13'-2"	8'-2"	6"	10'-2"	6'-2"	6"	11"	703	1T1012S
		5' 7"	16'-0"	10'-5"	6"	10'-2"	6'-2"	6"	10"	834	1T1015S
		5' 7"	19'-2"	12'-2"	6"	13'-1"	7'-7"	6"	11"	1115	1T1018S
	5' 6"	22'-2"	14'-7"	6"	13'-1"	7'-7"	6"	10"	1229	1T1021S	
	15'	10' 10"	10'-7"	6'-7"	8"	7'-1"	4'-7"	6"	11"	679	1T159S
		10' 9"	13'-2"	8'-2"	8"	10'-2"	6'-2"	6"	13"	785	1T1512S
		10' 8"	16'-0"	10'-5"	8"	10'-2"	6'-2"	6"	11"	906	1T1515S
		10' 7"	19'-2"	12'-2"	8"	13'-1"	7'-7"	6"	12"	1207	1T1518S
	10' 7"	22'-2"	14'-7"	8"	13'-1"	7'-7"	6"	11"	1321	1T1521S	
	20'	15' 9"	13'-2"	8'-2"	10"	10'-2"	6'-2"	6"	13"	1086	1T2012S
		15' 7"	16'-0"	10'-5"	10"	10'-2"	6'-2"	6"	11"	1226	1T2015S
		15' 7"	19'-2"	12'-2"	10"	13'-1"	7'-7"	6"	12"	1439	1T2018S
		14' 0"	22'-2"	14'-7"	10"	13'-1"	7'-7"	6"	11"	1599	1T2021S
	25'	20' 9"	13'-4"	8'-4"	12"	10'-2"	6'-2"	6"	15"	1373	1T2512S
		20' 8"	16'-3"	10'-7"	12"	10'-2"	6'-2"	6"	13"	1513	1T2515S
		20' 7"	19'-4"	12'-4"	12"	13'-1"	7'-7"	6"	14"	1726	1T2518S
		19' 0"	22'-4"	14'-9"	12"	13'-1"	7'-7"	6"	13"	1886	1T2521S
	30'	26' 0"	13'-4"	8'-4"	15"	10'-2"	6'-2"	6"	19"	1865	1T3012S
		25' 10"	16'-3"	10'-7"	15"	10'-2"	6'-2"	6"	19"	2005	1T3015S
		25' 9"	19'-4"	12'-4"	15"	13'-1"	7'-7"	6"	17"	2218	1T3018S
		24' 2"	22'-4"	14'-9"	15"	13'-1"	7'-7"	6"	16"	2378	1T3021S
	35'	31' 0"	13'-4"	8'-4"	15**	10'-2"	6'-2"	6"	19"	2445	1T3512S
		30' 10"	16'-3"	10'-7"	15**	10'-2"	6'-2"	6"	16"	2586	1T3515S
30' 9"		19'-4"	12'-4"	15**	13'-1"	7'-7"	6"	17"	2798	1T3518S	
29' 2"		22'-4"	14'-9"	15**	13'-1"	7'-7"	6"	16"	2958	1T3521S	
40'	36' 2"	13'-5"	8'-5"	15**	10'-2"	6'-2"	6"	21"	2754	1T4012S	
	35' 11"	16'-4"	10'-8"	15**	10'-2"	6'-2"	6"	21"	2895	1T4015S	
	35' 10"	19' 6"	12'-5"	15**	13'-1"	7'-7"	6"	20"	3107	1T4018S	
	34' 3"	22' 4"	14'-10"	15**	13'-1"	7'-7"	6"	18"	3267	1T4021S	
2 Ton											
	10'	5' 6"	10'-10"	7'-0"	8"	7'-1"	4'-7"	8"	11"	655	2T109S
		5' 5"	13'-0"	8'-4"	8"	10'-2"	6'-2"	8"	13"	861	2T1012S
		5' 3"	16'-3"	10'-7"	8"	10'-2"	6'-2"	8"	11"	1053	2T1015S
		5' 3"	19'-5"	12'-4"	8"	13'-1"	7'-7"	8"	12"	1212	2T1018S
	5' 2"	22'-4"	14'-9"	8"	13'-1"	7'-7"	8"	11"	1458	2T1021S	
	15'	10' 7"	11'-0"	7'-2"	10"	7'-1"	4'-7"	8"	13"	852	2T159S
		10' 5"	13'-2"	8'-6"	10"	10'-2"	6'-2"	8"	15"	1058	2T1512S
		10' 4"	16'-5"	10'-9"	10"	10'-2"	6'-2"	8"	13"	1250	2T1515S
		10' 3"	19'-7"	12'-6"	10"	13'-1"	7'-7"	8"	14"	1407	2T1518S
	10' 2"	22'-6"	14'-11"	10"	13'-1"	7'-7"	8"	13"	1655	2T1521S	
	20'	15' 5"	13'-2"	8'-6"	12"	10'-2"	6'-2"	8"	15"	1313	2T2012S
		15' 4"	16'-5"	10'-9"	12"	10'-2"	6'-2"	8"	13"	1505	2T2015S
		15' 3"	19'-7"	12'-6"	12"	13'-1"	7'-7"	8"	14"	1664	2T2018S
		15' 2"	22'-6"	14'-11"	12"	13'-1"	7'-7"	8"	13"	1837	2T2021S
	25'	20' 8"	13'-2"	8'-6"	15"	10'-2"	6'-2"	8"	21"	1749	2T2512S
		20' 6"	16'-5"	10'-9"	15"	10'-2"	6'-2"	8"	16"	1948	2T2515S
		20' 5"	19'-7"	12'-6"	15"	13'-1"	7'-7"	8"	17"	2101	2T2518S
		20' 4"	22'-6"	14'-11"	15"	13'-1"	7'-7"	8"	16"	2347	2T2521S
	30'	25' 10"	13'-3"	8'-8"	18"	10'-2"	6'-2"	8"	22"	2235	2T3012S
		25' 7"	16'-5"	10'-9"	18"	10'-2"	6'-2"	8"	19"	2440	2T3015S
		25' 6"	19'-8"	12'-8"	18"	13'-1"	7'-7"	8"	20"	2716	2T3018S
		23' 11"	22'-7"	15'-0"	18"	13'-1"	7'-7"	8"	18"	2799	2T3021S
	35'	30' 10"	13'-3"	8'-8"	18**	10'-2"	6'-2"	8"	22"	2860	2T3512S
		30' 7"	16'-5"	10'-9"	18**	10'-2"	6'-2"	8"	19"	3066	2T3515S
30' 6"		19'-8"	12'-8"	18**	13'-1"	7'-7"	8"	20"	3342	2T3518S	
28' 11"		22'-7"	15'-0"	18**	13'-1"	7'-7"	8"	18"	3425	2T3521S	
40'	35' 11"	13'-3"	8'-8"	18**	10'-2"	6'-2"	8"	23"	2844	2T4012S	
	35' 8"	16'-5"	10'-9"	18**	10'-2"	6'-2"	8"	20"	3050	2T4015S	
	35' 7"	19'-8"	12'-8"	18**	13'-1"	7'-7"	8"	21"	3326	2T4018S	
	34' 0"	22'-7"	15'-0"	18**	13'-1"	7'-7"	8"	19"	3409	2T4021S	

ALL WEIGHTS ARE ESTIMATED
AND ARE NOT GUARANTEED
FOR SHIPPING PURPOSES.

T SERIES GANTRY CRANES

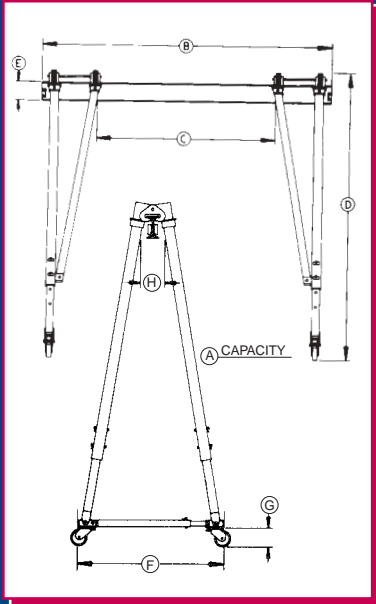
T SERIES - ALL STEEL

A CAPACITY	B SPAN	C CLEAR SPAN	D OVERALL HEIGHT		E I-BEAM DEPTH	F CASTER FRAME SPREAD		G CASTER DIAMETER	H MAXIMUM LEG CLEARANCE	NET WEIGHT	MODEL
			MAXIMUM	MINIMUM		MAXIMUM	MINIMUM				
			3 Ton								
3 Ton	10'	5'-3"	11'-1"	7'-3"	10"	7'-1"	4'-7"	8"	13'	834	3T109S
		5'-2"	13'-4"	8'-8"	10"	10'-2"	6'-2"	8"	15"	1054	3T1012S
		5'-1"	16'-7"	10'-10"	10"	10'-2"	6'-2"	8"	13"	1287	3T1015S
		3'-6"	19'-8"	12'-8"	10"	13'-1"	7'-7"	8"	14"	1395	3T1018S
		3'-4"	22'-7"	15'-7"	10"	15'-1"	9'-7"	8"	14"	1888	3T1023S
	15'	10'-5"	11'-1"	7'-3"	10"	7'-1"	4'-7"	8"	14"	961	3T159S
		10'-4"	13'-4"	8'-8"	10"	10'-2"	6'-2"	8"	16"	1181	3T1512S
		10'-2"	16'-7"	10'-10"	10"	10'-2"	6'-2"	8"	14"	1414	3T1515S
		8'-7"	19'-8"	12'-8"	10"	13'-1"	7'-7"	8"	15"	1522	3T1518S
		8'-5"	22'-7"	15'-7"	10"	15'-1"	9'-7"	8"	15"	2188	3T1523S
	20'	15'-5"	13'-4"	8'-8"	15"	10'-2"	6'-2"	8"	18"	1658	3T2012S
		15'-3"	16'-7"	10'-10"	15"	10'-2"	6'-2"	8"	15"	1891	3T2015S
		13'-8"	19'-8"	12'-8"	15"	13'-1"	7'-7"	8"	16"	1999	3T2018S
		13'-6"	22'-7"	15'-7"	15"	15'-1"	9'-7"	8"	16"	2665	3T2023S
	25'	20'-8"	13'-4"	8'-9"	18"	10'-2"	6'-2"	8"	23"	2167	3T2512S
		20'-5"	16'-7"	10'-11"	18"	10'-2"	6'-2"	8"	20"	2401	3T2515S
		18'-11"	19'-9"	12'-9"	18"	13'-1"	7'-7"	8"	21"	2508	3T2518S
		18'-8"	23'-8"	15'-7"	18"	15'-1"	9'-7"	8"	21"	3175	3T2523S
	30'	25'-9"	13'-4"	8'-9"	18"	10'-2"	6'-2"	8"	24"	2729	3T3012S
		25'-6"	16'-7"	10'-11"	18"	10'-2"	6'-2"	8"	21"	2962	3T3015S
		24'-0"	19'-9"	12'-9"	18"	13'-1"	7'-7"	8"	22"	3147	3T3018S
		23'-9"	23'-8"	15'-7"	18"	15'-1"	9'-7"	8"	22"	3734	3T3023S
	35'	30'-9"	13'-4"	8'-9"	18"	10'-2"	6'-2"	8"	24"	3207	3T3512S
		30'-6"	16'-7"	10'-11"	18"	10'-2"	6'-2"	8"	21"	3440	3T3515S
29'-0"		19'-9"	12'-9"	18"	13'-1"	7'-7"	8"	22"	3612	3T3518S	
28'-9"		23'-8"	15'-7"	18"	15'-1"	9'-7"	8"	22"	4207	3T3523S	
40'	35'-9"	13'-4"	8'-9"	18"	10'-2"	6'-2"	8"	24"	3951	3T4012S	
	35'-6"	16'-7"	10'-11"	18"	10'-2"	6'-2"	8"	21"	4184	3T4015S	
	34'-0"	19'-9"	12'-9"	18"	13'-1"	7'-7"	8"	22"	4369	3T4018S	
	33'-9"	23'-8"	15'-7"	18"	15'-1"	9'-7"	8"	22"	4951	3T4023S	
5 Ton											
5 Ton	10'	5'-5"	11'-1"	7'-3"	10"	7'-1"	4'-7"	8"	14"	890	5T109S
		5'-1"	16'-6"	10'-9"	10"	10'-2"	6'-2"	8"	14"	1485	5T1015S
		3'-6"	19'-8"	12'-8"	10"	13'-1"	7'-7"	8"	15"	1793	5T1018S
		3'-5"	23'-7"	15'-6"	10"	15'-1"	9'-7"	8"	15"	2338	5T1023S
	15'	10'-6"	11'-1"	7'-3"	15"	7'-1"	4'-7"	8"	15"	1281	5T159S
		10'-2"	16'-6"	10'-9"	15"	10'-2"	6'-2"	8"	15"	1875	5T1515S
		8'-7"	19'-8"	12'-8"	15"	13'-1"	7'-7"	8"	16"	2183	5T1518S
		8'-6"	23'-7"	15'-6"	15"	15'-1"	9'-7"	8"	16"	2683	5T1523S
	20'	15'-8"	11'-1"	7'-3"	18"	7'-1"	4'-7"	8"	17"	1731	5T209S
		15'-4"	16'-6"	10'-9"	18"	10'-2"	6'-2"	8"	17"	2325	5T2015S
		13'-9"	19'-8"	12'-8"	18"	13'-1"	7'-7"	8"	18"	2633	5T2018S
		13'-7"	23'-7"	15'-6"	18"	15'-1"	9'-7"	8"	18"	3178	5T2023S
	25'	20'-5"	16'-7"	10'-11"	18"	10'-2"	6'-2"	8"	20"	2882	5T2515S
		18'-10"	19'-9"	12'-8"	18"	13'-1"	7'-7"	8"	21"	3167	5T2518S
		18'-8"	23'-9"	15'-7"	18"	15'-1"	9'-7"	8"	21"	3712	5T2523S
		25'-6"	16'-7"	10'-11"	18"	10'-2"	6'-2"	8"	21"	3184	5T3015S
	30'	23'-11"	19'-9"	12'-8"	18"	13'-1"	7'-7"	8"	22"	3569	5T3018S
		23'-9"	23'-9"	15'-7"	18"	15'-1"	9'-7"	8"	22"	4013	5T3023S
		30'-6"	16'-7"	10'-11"	18"	10'-2"	6'-2"	8"	21"	4034	5T3515S
		28'-11"	19'-9"	12'-8"	18"	13'-1"	7'-7"	8"	22"	4419	5T3518S
	35'	28'-9"	23'-9"	15'-7"	18"	15'-1"	9'-7"	8"	22"	4863	5T3523S
		35'-7"	16'-7"	10'-11"	24"	10'-2"	6'-2"	8"	23"	5573	5T4015S
		34'-1"	19'-9"	12'-8"	24"	13'-1"	7'-7"	8"	25"	5958	5T4018S
		33'-11"	23'-9"	15'-7"	24"	15'-1"	9'-7"	8"	24"	6402	5T4023S

*capped I-beam

ALL WEIGHTS ARE ESTIMATED
AND ARE NOT GUARANTEED
FOR SHIPPING PURPOSES.

T SERIES GANTRY CRANES



I-BEAM	FLANGE WIDTH
S6" - 12.5#	3 3/8"
S8" - 18.4#	4"
S10" - 25.4#	4 5/8"
S12" - 31.8#	5"
S15" - 42.9#	5 1/2"
S18" - 54.7#	6"
S24" - 80#	7"

T SERIES - ALL STEEL											
A CAPACITY	B SPAN	C CLEAR SPAN	D OVERALL HEIGHT		E I-BEAM DEPTH	F CASTER FRAME SPREAD		G CASTER DIAMETER	H MAXIMUM LEG CLEARANCE	NET WEIGHT	MODEL
			MAXIMUM	MINIMUM		MAXIMUM	MINIMUM				
8 Ton	15'	10'-0"	16'-8"	11'-6"	18"	10'-4"	6'-4"	12"	18"	2322	8T1515S
		8'-6"	20'-4"	13'-4"	18"	13'-1"	7'-8"	12"	19"	2584	8T1518S
		8'-4"	24'-3"	16'-2"	18"	15'-1"	9'-8"	12"	18"	3294	8T1523S
	20'	15'-2"	16'-8"	11'-6"	18"	10'-4"	6'-4"	12"	20"	2795	8T2015S
		13'-7"	20'-4"	13'-4"	18"	13'-1"	7'-8"	12"	21"	3057	8T2018S
		13'-6"	24'-3"	16'-2"	18"	15'-1"	9'-8"	12"	21"	3686	8T2023S
	25'	20'-4"	16'-8"	11'-6"	18"	10'-4"	6'-4"	12"	21"	3132	8T2515S
		18'-8"	20'-4"	13'-4"	18"	13'-1"	7'-8"	12"	22"	3564	8T2518S
		18'-6"	24'-3"	16'-2"	18"	15'-1"	9'-8"	12"	22"	4023	8T2523S
	30'	25'-3"	16'-8"	11'-6"	24"	10'-4"	6'-4"	12"	21"	4643	8T3015S
		23'-8"	20'-4"	13'-4"	24"	13'-1"	7'-8"	12"	22"	5075	8T3018S
		23'-6"	24'-3"	16'-2"	24"	15'-1"	9'-8"	12"	22"	5534	8T3023S
35'	30'-4"	16'-8"	11'-6"	24"	10'-4"	6'-4"	12"	23"	5198	8T3515S	
	28'-11"	20'-4"	13'-4"	24"	13'-1"	7'-8"	12"	25"	5580	8T3518S	
	28'-8"	24'-3"	16'-2"	24"	15'-1"	9'-8"	12"	24"	6039	8T3523S	
40'	35'-4"	16'-8"	11'-6"	24"	10'-4"	6'-4"	12"	23"	5653	8T4015S	
	33'-11"	20'-4"	13'-4"	24"	13'-1"	7'-8"	12"	25"	6085	8T4018S	
	33'-8"	24'-3"	16'-2"	24"	15'-1"	9'-8"	12"	24"	6544	8T4023S	
10 Ton	15'	10'-2"	16'-8"	11'-6"	18"	10'-4"	6'-4"	12"	20"	2480	10T1515S
		8'-7"	20'-4"	13'-4"	18"	13'-1"	7'-8"	12"	21"	2898	10T1518S
		8'-6"	24'-3"	16'-2"	18"	15'-1"	9'-8"	12"	21"	3719	10T1523S
	20'	15'-3"	16'-8"	11'-6"	24"	10'-4"	6'-4"	12"	21"	3275	10T2015S
		13'-8"	20'-4"	13'-4"	24"	13'-1"	7'-8"	12"	22"	3693	10T2018S
		13'-6"	24'-3"	16'-2"	24"	15'-1"	9'-8"	12"	22"	4513	10T2023S
	25'	20'-4"	16'-8"	11'-6"	24"	10'-4"	6'-4"	12"	23"	3917	10T2515S
		18'-11"	20'-4"	13'-4"	24"	13'-1"	7'-8"	12"	25"	4335	10T2518S
		18'-8"	24'-3"	16'-2"	24"	15'-1"	9'-8"	12"	24"	5156	10T2523S
	30'	25'-4"	16'-8"	11'-6"	24"	10'-4"	6'-4"	12"	23"	4845	10T3015S
		23'-11"	20'-4"	13'-4"	24"	13'-1"	7'-8"	12"	25"	5277	10T3018S
		23'-8"	24'-3"	16'-2"	24"	15'-1"	9'-8"	12"	24"	5730	10T3023S
35'	30'-4"	16'-8"	11'-6"	24"	10'-4"	6'-4"	12"	23"	5350	10T3515S	
	28'-11"	20'-4"	13'-4"	24"	13'-1"	7'-8"	12"	25"	5782	10T3518S	
	28'-8"	24'-3"	16'-2"	24"	15'-1"	9'-8"	12"	24"	6235	10T3523S	
40'	35'-4"	16'-8"	11'-6"	24"	10'-4"	6'-4"	12"	23"	5855	10T4015S	
	33'-11"	20'-4"	13'-4"	24"	13'-1"	7'-8"	12"	25"	6287	10T4018S	
	33'-8"	24'-3"	16'-2"	24"	15'-1"	9'-8"	12"	24"	6740	10T4023S	

*capped I-beam

ALL WEIGHTS ARE ESTIMATED
AND ARE NOT GUARANTEED
FOR SHIPPING PURPOSES.

T SERIES GANTRY CRANES

ALL WEIGHTS ARE ESTIMATED
AND NOT GUARANTEED FOR
SHIPPING PURPOSES.

T SERIES - ALUMINUM I-BEAM											
A CAPACITY	B SPAN	C CLEAR SPAN	D OVERALL HEIGHT		E I-BEAM DEPTH	F CASTER FRAME SPREAD		G CASTER DIAMETER	H MAXIMUM LEG CLEARANCE	NET WEIGHT	MODEL
			MAXIMUM	MINIMUM		MAXIMUM	MINIMUM				
1 Ton	10'	5'-9"	10'-7"	6'-7"	6"	7'-1"	4'-7"	6"	10"	515	1T109SA
		5'-9"	13'-2"	8'-2"	8"	10'-2"	6'-2"	6"	13"	641	1T1012SA
		5'-8"	16'-0"	10'-5"	8"	10'-2"	6'-2"	6"	11"	781	1T1015SA
		5'-7"	19'-2"	12'-2"	8"	13'-1"	7'-7"	6"	12"	1053	1T1018SA
		5'-7"	22'-2"	14'-7"	8"	13'-1"	7'-7"	6"	11"	1167	1T1021SA
	15'	10'-10"	10'-7"	6'-7"	10"	7'-1"	4'-7"	6"	13"	665	1T159SA
		10'-9"	13'-2"	8'-2"	10"	10'-2"	6'-2"	6"	15"	712	1T1512SA
		10'-8"	16'-0"	10'-5"	10"	10'-2"	6'-2"	6"	13"	853	1T1515SA
		10'-7"	19'-2"	12'-2"	10"	13'-1"	7'-7"	6"	14"	1154	1T1518SA
		10'-7"	22'-2"	14'-7"	12"	13'-1"	7'-7"	6"	14"	1302	1T1521SA
2 Ton	10'	5'-6"	10'-10"	7'-0"	10"	7'-1"	4'-7"	8"	13"	559	2T109SA
		5'-5"	13'-0"	8'-4"	10"	10'-2"	6'-2"	8"	14"	765	2T1012SA
		5'-4"	16'-3"	10'-7"	10"	10'-2"	6'-2"	8"	12"	957	2T1015SA
		5'-3"	19'-5"	12'-4"	10"	13'-1"	7'-7"	8"	13"	1116	2T1018SA
		5'-2"	22'-4"	14'-9"	10"	13'-1"	7'-7"	8"	13"	1362	2T1021SA
	15'	10'-8"	11'-0"	7'-2"	12"	7'-7"	4'-7"	8"	14"	636	2T159SA
		10'-6"	13'-2"	8'-6"	12"	10'-2"	6'-2"	8"	17"	842	2T1512SA
		10'-4"	16'-5"	10'-9"	12"	10'-2"	6'-2"	8"	14"	1034	2T1515SA
		10'-4"	19'-7"	12'-6"	12"	13'-1"	7'-7"	8"	15"	1193	2T1518SA
		10'-3"	22'-6"	14'-11"	12"	13'-1"	7'-7"	8"	14"	1439	2T1521SA
3 Ton	10'	5'-5"	11'-1"	7'-3"	10"	7'-1"	4'-7"	8"	14"	668	3T109SA
		5'-4"	13'-4"	8'-8"	10"	10'-2"	6'-2"	8"	16"	888	3T1012SA
		5'-3"	16'-7"	10'-10"	12"	10'-2"	6'-2"	8"	15"	1142	3T1015SA
		3'-8"	19'-8"	12'-8"	12"	13'-1"	7'-7"	8"	16"	1250	3T1018SA
	15'	10'-6"	11'-1"	7'-3"	12"*	7'-1"	4'-7"	8"	15"	690	3T159SA
		10'-5"	13'-4"	8'-8"	12"*	10'-2"	6'-2"	8"	18"	910	3T1512SA
		10'-3"	16'-7"	10'-10"	12"*	10'-2"	6'-2"	8"	15"	1143	3T1515SA
		8'-8"	19'-8"	12'-8"	12"*	13'-1"	7'-7"	8"	16"	1251	3T1518SA

*capped I-beam

I-BEAM	FLANGE WIDTH
ALU5" - 3.43#	3"
ALU6" - 4.3#	3 3/8"
ALU8" - 6.35#	4"
ALU10" - 8.76#	4 5/8"
ALU12" - 10.99#	5"

KIT NO:	DESCRIPTION	NET WT.
TCK 1-2	1-2 TON MODELS	46
TCK 3-5	3-5 TON MODELS	55
TCK 8-10	8-10 TON MODELS	94

KIT NO:	DESCRIPTION	NET WT.
THA 1-5	For Gantry Cap. 1-5 ton	94
THA 8-10	For Gantry Cap. 8-10 ton	97