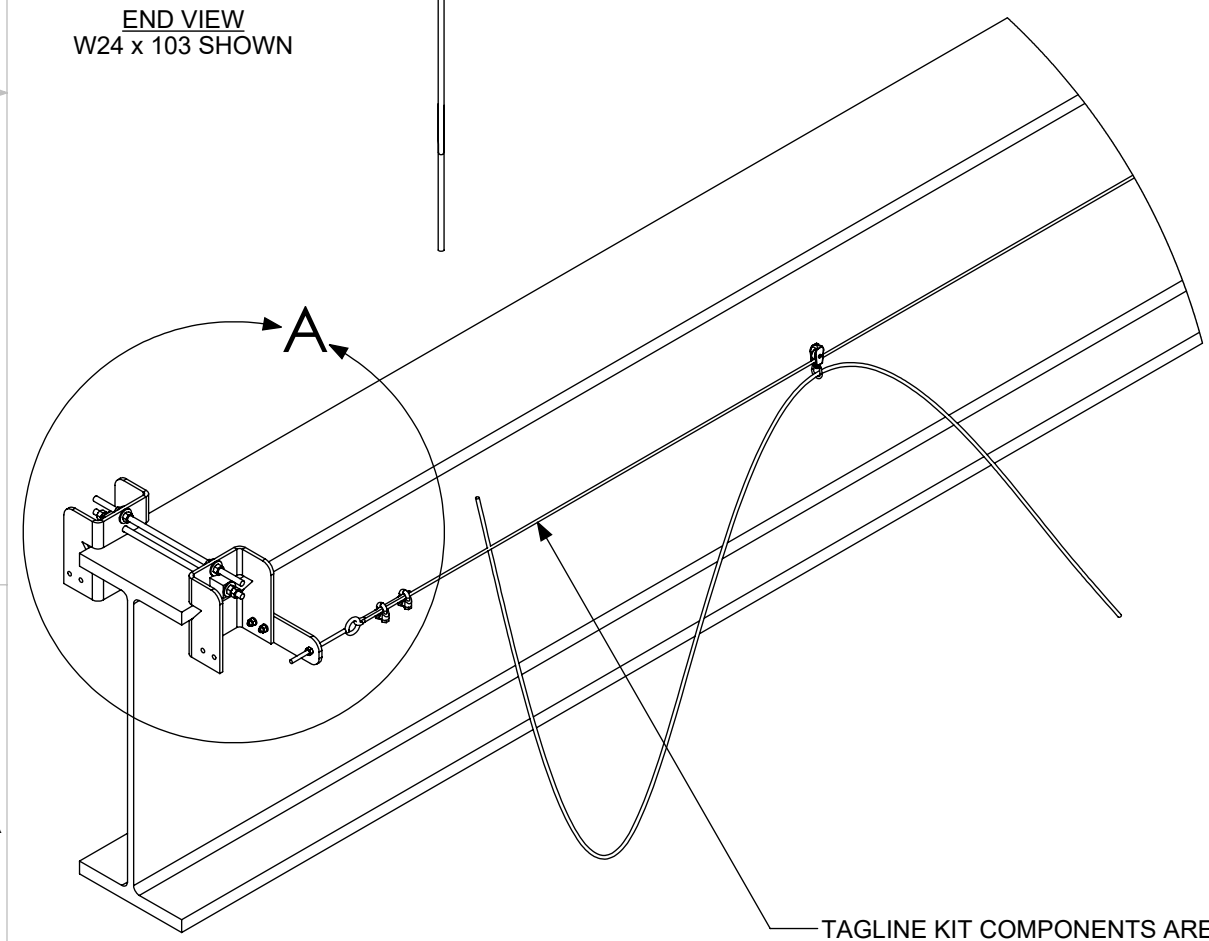
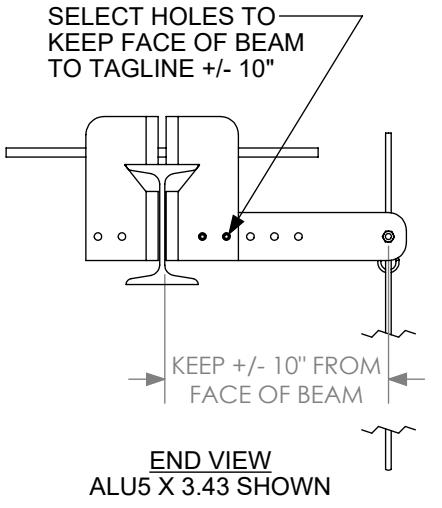
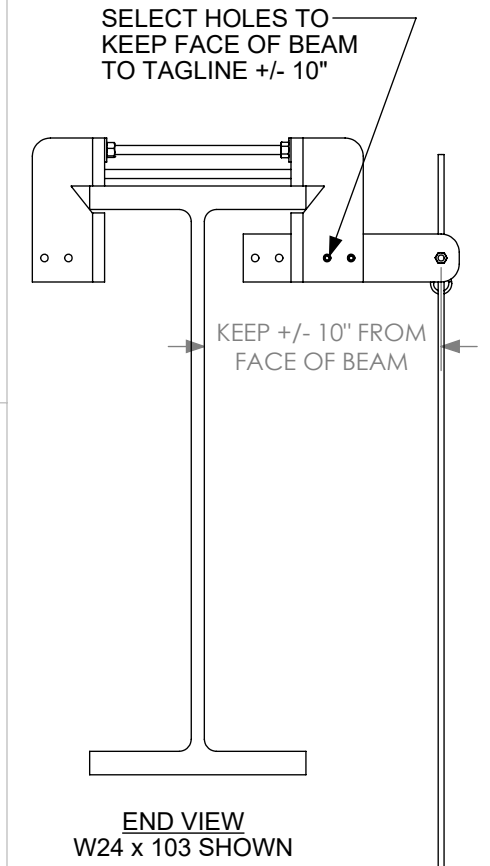


8 7 6 5 4 3 2 1

THE INFORMATION CONTAINED IN THIS DRAWING IS THE SOLE PROPERTY OF SPANCO ANY REPRODUCTION IN PART OR WHOLE WITHOUT THE WRITTEN PERMISSION OF SPANCO IS PROHIBITED.



TAGLINE KIT COMPONENTS ARE SHOWN FOR CONTEXTUAL PURPOSES. FOR INSTALLATION INFORMATION ON TAGLINE KIT ASSEMBLIES, REFER TO THE CORRECT INSTALLATION MANUAL FOR THE DESIRED PRODUCT LINE.

- NOTE: UPPER ROD AND HARDWARE NOT REQUIRED FOR ALU5, ALU6, & S6 BEAMS.**
- STEP 1:** TRIM EXCESS ON RODS TO FIT SOCKET (IF DESIRED, ALIGN ONE END OF EACH ROD SO ONLY THE OTHER END NEEDS TRIMMED).
- STEP 2:** WHILE TORQUING 3/8" INNER LOWER ROD NUTS TO 33 FT*LBS, ADJUST INNER UPPER NUTS TO KEEP WELDMENT PLUMB.
- STEP 3:** HOLDING THE INNER LOWER ROD NUTS WITH A WRENCH, TORQUE 3/8" LOWER OUTER ROD NUTS TO 33 FT*LBS.
- STEP 4:** HOLDING THE UPPER INNER ROD NUTS WITH A WRENCH, TORQUE UPPER OUTER ROD NUTS TO 33 FT*LBS.
- STEP 5:** TORQUE 1/4" BOLTS TO 10 FT*LBS.

NOTE: FITS THE FOLLOWING:

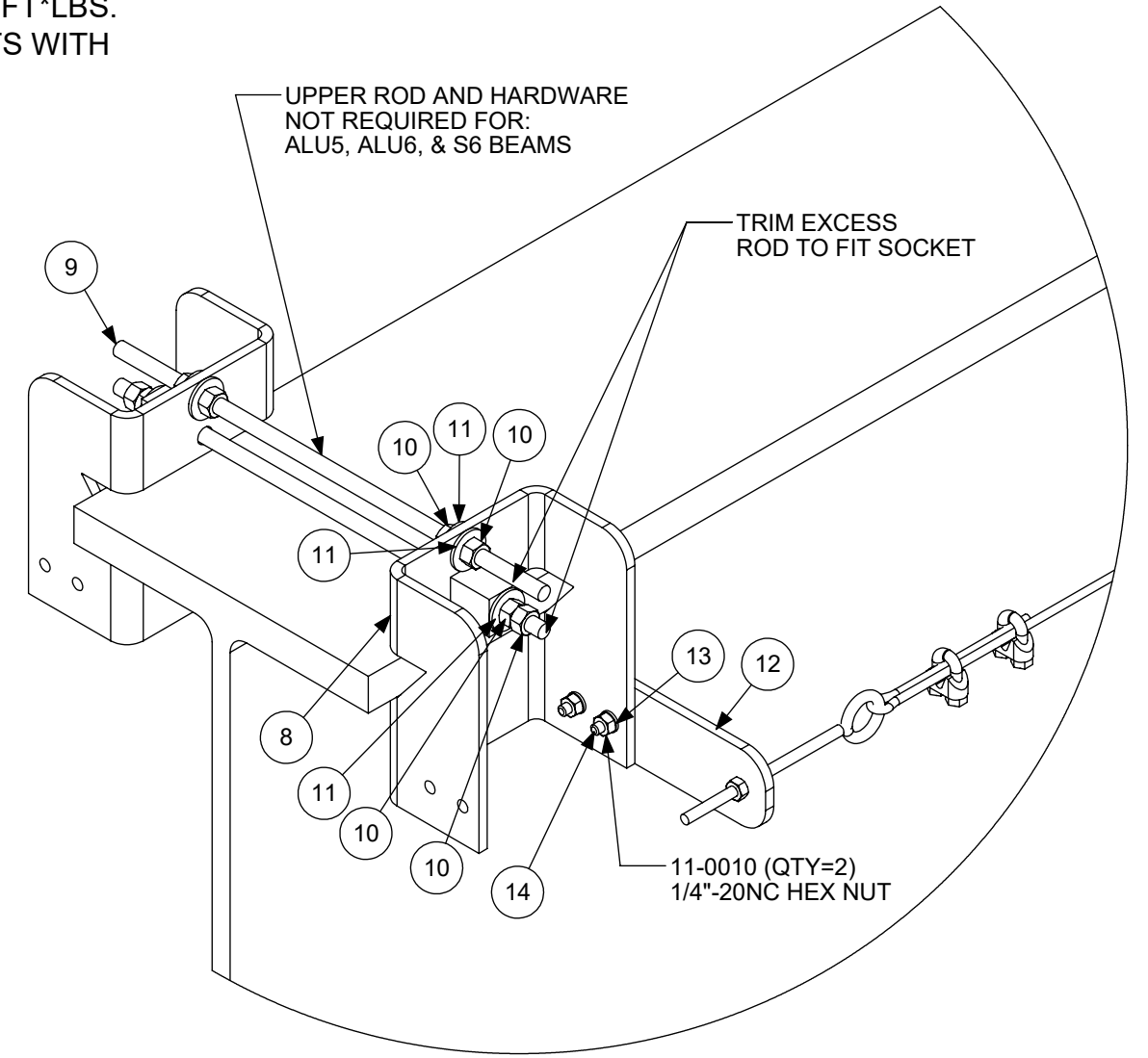
- STEEL S-BEAMS:**
 S6x12.5
 S8x18.4
 S10x25.4
 S12x31.8
 S15x42.9
 S18x54.7
 S24x80
 S24x106
 S24x121

- STEEL W-BEAMS:**
 W10x30
 W12x35
 W16x50
 W18x55
 W21x68
 W24x84
 W24x103

- ALUMINUM BEAMS:**
 ALU5x3.43
 ALU6x4.3
 ALU8x6.35
 ALU10x8.76
 ALU12x10.99

ITEM NO.	QTY.	PART NO.	DESCRIPTION
8	2	06-3506	WELDMENT, CLAMP ON TAGLINE
9	2	51-0001-01.08	3/8"-10 NC THREADED ROD X 1'-1"
10	8	11-0020	NUT, HEX 3/8-16
11	6	15-0002	FLAT WASHER, 3/8"
12	1	06-3508	PLATE, ARM, CLAMP ON TAGLINE
13	2	14-0001	1/4" LOCK WASHER
14	2	10-0013	HEX HEAD BOLT, 1/4"-20 NC X 1"

NOTE: ONLY ONE END OF BEAM SHOWN, SO TOTAL QUANTITIES ARE DOUBLE



A	12/27/19	JRG	FOR GANTRY USE ONLY, WAS JIBS OR GANTRIES, PER ECO#19-0052
REV.	DATE	NAME	REVISION DESCRIPTION
UNLESS OTHERWISE SPECIFIED DIMENSIONS ARE IN INCHES TOLERANCES ARE:		CAD GENERATED DRAWING, DO NOT MANUALLY UPDATE DO NOT SCALE DRAWING	
FRACTIONS	DECIMALS	ANGLES	APPROVALS
±1/16"	.XX ±.05	±1°	DATE
	.XXX ±.005		DRAWN
	.XXXX ±.0005		JRG
			12/05/17
MATERIAL			CHECKED
			APPVD
FINISH			PLOT DATE
			WT.
STATUS			PROJECT NO.
			SCALE
			N.T.S.
SIZE DWG. NO.		REV.	
B 06-3507		A	
CAD FILE:		SHEET 1 OF 1	
06-3507			



GANTRIES
 "CLAMP-ON" TAGLINE

ASSEMBLY
 06-3507